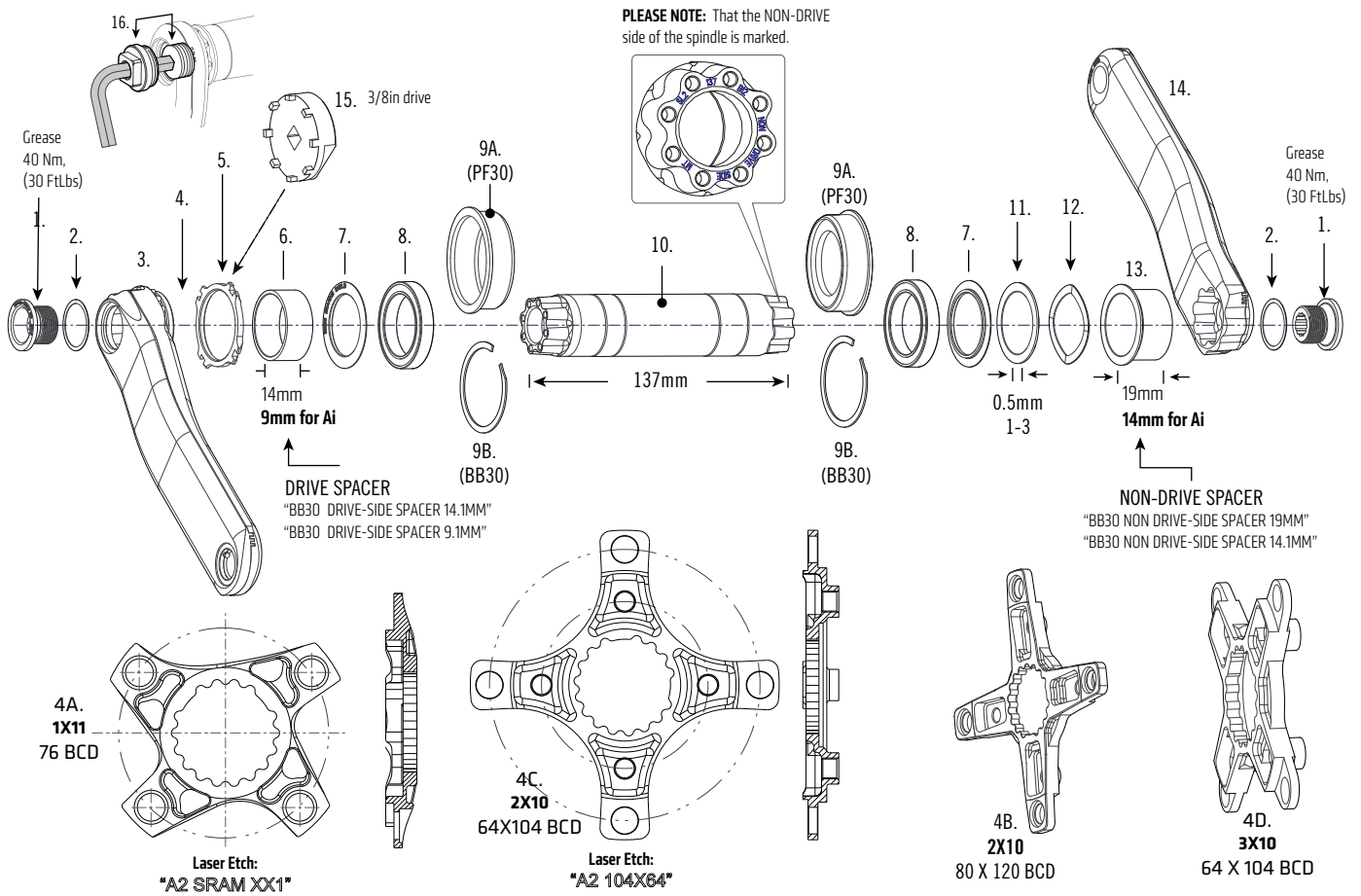
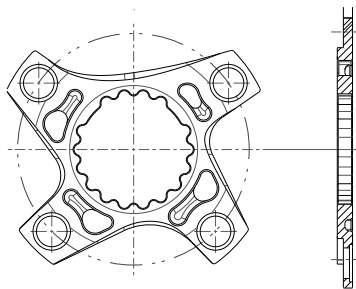


# SI HOLLOWGRAM MOUNTAIN-KIT LIST

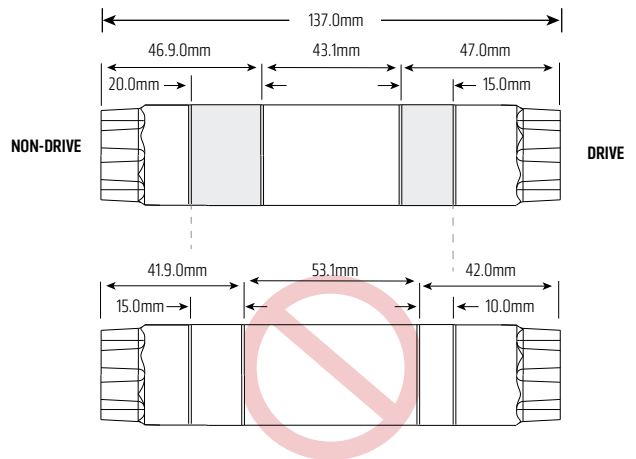
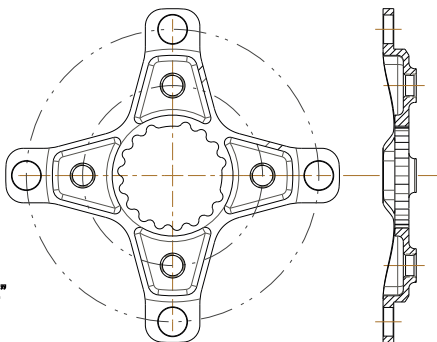


## SPECIFIC COMPONENTS

**4F. 1X11**  
5mm CL Offset  
76 BCD  
Laser Etch:  
"A2 SRAM 1X CL\_55.6"



**4E. 2X10**  
5mm CL Offset  
64X104 BCD  
Laser Etch:  
"A2 SRAM 2X10 5mmCL"





**PLEASE NOTE:**

The bearing lands (areas shown shaded) of the 137mm Ai compatible spindle (top) are 5mm wider than the previous revision 137mm spindle (bottom).

Also, the Ai compatible 137mm spindle IS compatible with non-Ai Hollowgram MTN cranksets. However, the older revision spider is not Ai compatible.

# SI HOLLOWGRAM MOUNTAIN-KIT LIST

## Individual Replacement and Service Parts

	TYPE	RIGHT CRANKARM			LEFT CRANKARM		
		SISL2	HOLLOWGRAM SI	CANNONDALE SI	SISL2	HOLLOWGRAM SI	CANNONDALE SI
<b>CRANKARMS</b>	165mm	--	--	KP423/165R	--	--	KP423/165L
	170mm	KP246/170R	KP305/170R	KP423/170R	KP246/170L	KP305/170L	KP423/170L
	172mm	KP246/172R	KP305/172R	KP423/172R	KP246/172L	KP305/172L	KP423/172L
	175mm	KP246/175R	KP305/175R	KP423/175R	KP246/175L	KP305/175L	KP423/175L
<b>CRANK BOLTS</b>	1(2), 2(2)	KP251/BLK	KIT,CRANK BOLTS,H-GRAM SL2,(2)				
	4A	KP296/	KIT,SPIDER-SI MTN,XX1				
	4B	KP128/	KIT,SPIDER,SI MTN,SRAM 80/120BCD 4BOLT				
	4C	KP241/	KIT,SPIDER,SI MTN,SRAM 64/104BCD 4BOLT				
	4D	KF355/	KIT,SPIDER-SI MTN,TRIPLE 64/104BCD 4BOLT				
	4E	KP352/	KIT SPIDER SI MTN SRAM 64/104 4-BOLT AI		 - AI SPECIFIC FSI 29 2X10, 5mmCL		
<b>SPIDERS</b>	4F	KP354/	KIT SPIDER SI MTN XX1 AI		 - AI SPECIFIC FSI 29 1X11, 5mmCL		
		CU4041SI30	MTB SPIDERING SL 30T X-SYNC				
		CU4041SI32	MTB SPIDERING SL 32T X-SYNC				
		CU4041AI30	MTB SPIDERING SL 30T X-SYNC AI OFFSET				
		CU4041AI32	MTB SPIDERING SL 32T X-SYNC AI OFFSET				
		CU4041AI34	MTB SPIDERING SL 34T X-SYNC AI OFFSET				
	5	KP021/	KIT,LOCKRING-SL		--REQUIRES KT012/		
<b>SPINDLE</b>	1(2), 2(2), 6, 7(2) 8(2), 9A(2), 9B(2) 10, 11(3), 12, 13	KP306/	KIT,BB,COALE SI,68/73X137 BB30/PF30				
		KP402/	KIT, SPINDLE, H'GRAM, FAT CAAD1, 160MM		NEW FOR 2016		
		KP403/	KIT, SPINDLE, H'GRAM, FAT CAAD2, 166MM				
	--	KP218/	KIT,LOCTITE 609 W/ACTIVATOR				
	9B(2)	QC616/	KIT,CIRCLIP,BB-SI				
	8(2)	KB6180/	KIT,BEARING,BB-BB30		(SKF#6806-2RS /SRI2 /90% FILL)		
<b>MISC</b>	8(2), 9A(2)	KP197/	KIT,BEARING,BB-PF30				
	7(2)	KP249/BLK	KIT,BEARING SHIELD,BB-SL2				
	10	KP308/	KIT,SPINDLE-SI MTN, 137MM		RUNNING PRODUCTION CHANGE See Ai comparision graphic.		
	11	QC617/	KIT,SHIMS-PLASTIC, BB-SI; INCL 5 SHIMS				
	12	QC618/	KIT,WASHER-WAVE, BB-SI				
		KP009/	KIT,ADAPTER,SIBB TO 68MM TAP				
		KP010/	KIT,ADAPTER,SIBB TO 73MM TAP				
		KT010/	KIT,TOOL-BB BEARING-SI;		Use w/ headset press to install bearings		
		KT011/	KIT,TOOL - BEARING REMOVAL SI;		To remove si bottom bracket earings		
<b>TOOLS/ ADAPTER</b>	15	KT012/	KIT,TOOL-LOCK RING-SI				
	16	KT013/	KIT,CRANK EXTRACTION TOOL; 2 PIECES				
		KF365/	KIT,TOOL,SIBB/68 ADP.INSTALL				
		KF368/	KIT,TOOL,SIBB/73 ADP.INSTALL				
		KF366/	KIT,TOOL,SIBB ADAPTR EXTRACT				