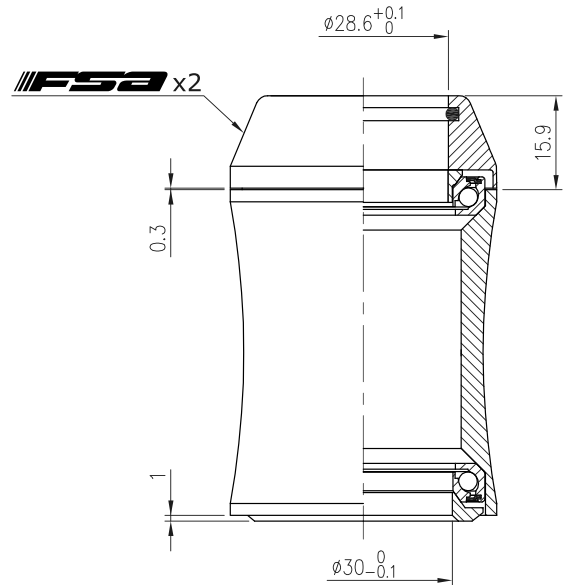
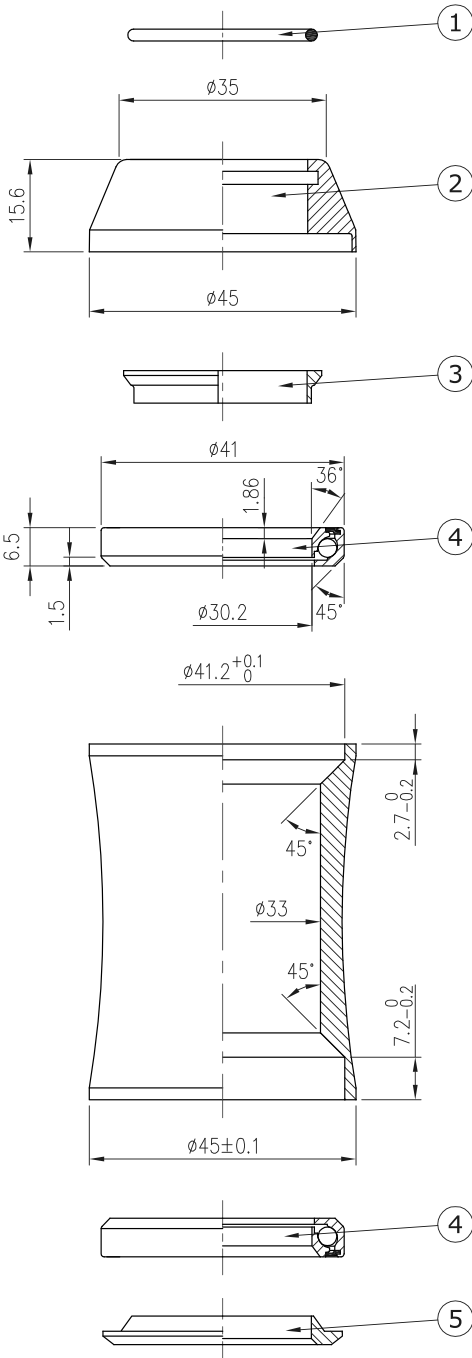


Integrated Headset (CC)

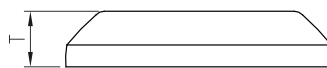
Orbit I

NO.16/CC

1-1/8", 36°/ 45° ACB



Stack Height 15.9+1=16.9



Custom cone spacer		
Item No	T	Stack Height
H2060A	9.4mm	10.7mm
H2060C	20.6mm	21.9mm



Weight - 70.6 grams

- For 45mm OD head tube
- 1-1/8" steerer
- Alloy top cover
- Angular Contact Bearing (Black seal)

No	Item No	Material	Qty
⑤	H6082{S2-1-1/8"-6}	Steel	1PCS
④	MR122{873E-RS}	Chrome steel	2SETS
③	H2048{WCS-1-1/8"-2}	Alloy	1PCS
②	H2060B	Alloy	1PCS
①	MS053{872}	Rubber	1PCS

